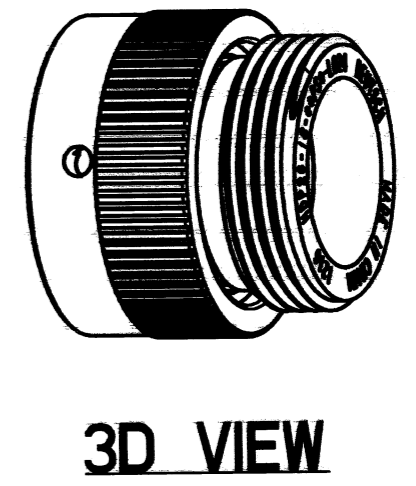
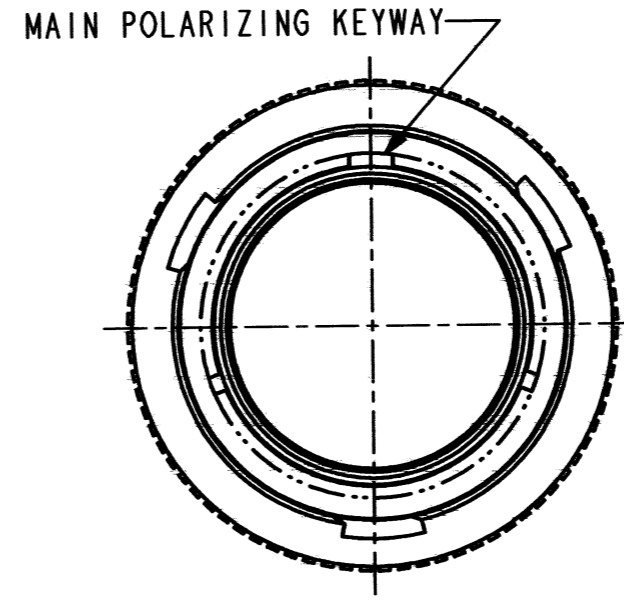
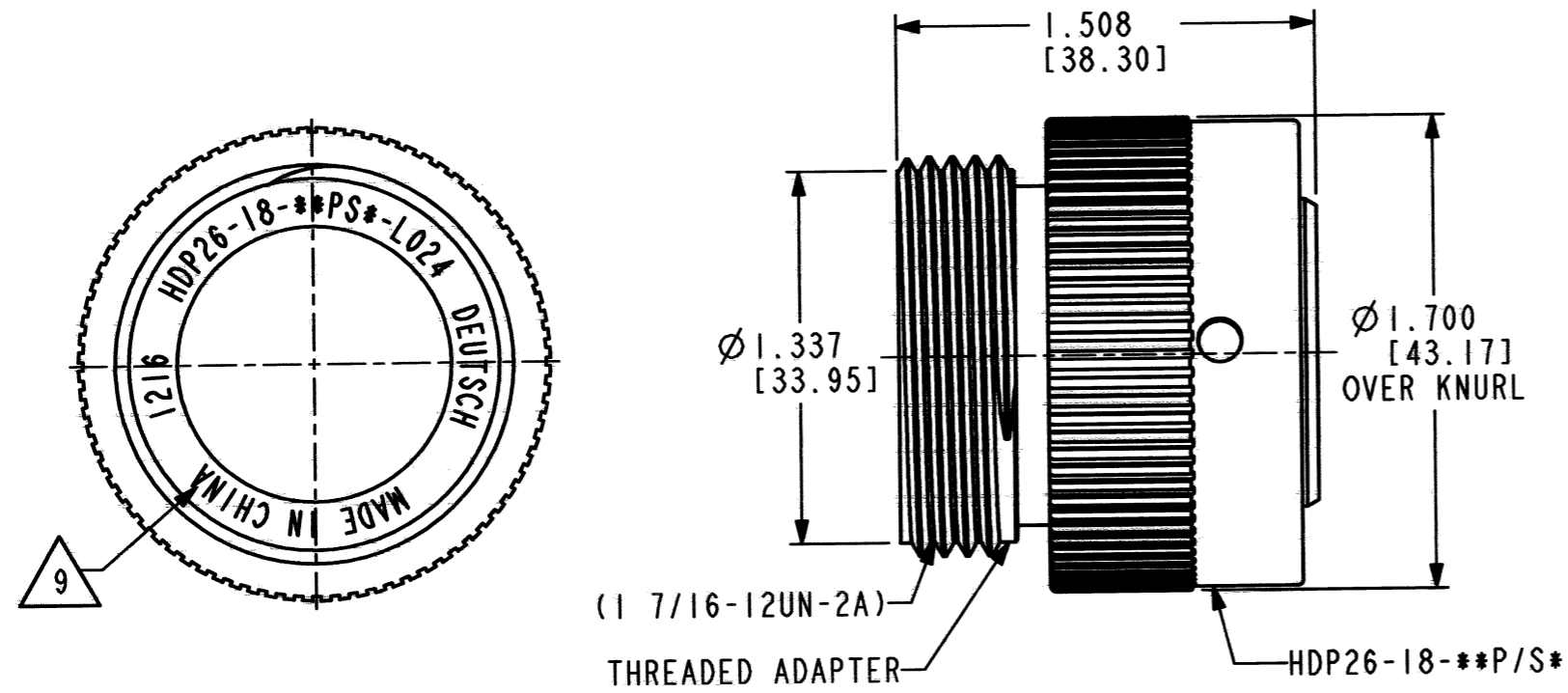


REV NC HDP26-18-***P/S*-L024

REVISIONS			
SYM	DESCRIPTION	DATE	APPROVED
NC	NEW RELEASE PER E.O. P21416	8/24/12	DM




9. COUNTRY OF ORIGIN IF OTHER THAN USA.
EXAMPLE: MADE IN CHINA
8. MATERIAL: SHELL - PLASTIC, SEAL - RUBBER, INSULATION - PLASTIC
7. THIS PLUG MATES WITH HDP24-18-***P/S*-**** (****=ALL MODIFICATIONS)
6. DIMENSION TOLERANCE: ±.025 [.63] UNLESS NOTED OTHERWISE.
5. ALL DIMENSIONS ARE INCHES [MILLIMETERS].
4. THREADED ADAPTER COLOR REFLECTS WIRE SEAL DIAMETER.
(GREEN='N' SEAL; GREY='T' SEAL; BLUE='E' SEAL)
3. FOR PERFORMANCE AND APPLICATION CHARACTERISTICS
SEE ENVELOPE DRAWING 0425-021-0000.
2. FOR CONTACTS AND WIRE PERFORMANCE AND APPLICATION
CHARACTERISTICS SEE ENVELOPE DWG. 0425-015-0000.
1. FOR CONTACT ARRANGEMENTS, SEE ENVELOPE DRAWING 0425-013-1800.

NOTES:

	SIGNATURE & DATE
DR	I. GRANTCHAROVA 7/18/12
CHK	<i>[Signature]</i> 8/23/12
PE	<i>[Signature]</i> 8/23/12
APPD	<i>[Signature]</i> 8/24/12
SCALE	NONE WT

PLASTIC PLUG
CONNECTOR
BAYONET COUPLING
HDP SERIES, SIZE 18
-L024 MOD

ENVELOPE

EP	MATL. CODE
 3850 INDUSTRIAL AVE. HEMET, CA 92545 DEUTSCH INDUSTRIAL	
B	HDP26-18-***P/S*-L024
DWG SIZE	CODE 11139 SHEET OF